

AFOLUX POS Application Series 12.1" and 15" Economical POS Panel PC

- 1 Application Server Platform
- 2 Single Board Computer
- 3 IBX Series POS PC
- 4 AFOLUX POS Panel PC
- 5 Video Capture Card
- 6 KAMIO RISC
- 7 IOVU Open HMI
- 8 VITO Universal Controller
- 9 DINO BLADE
- 10 LCD Product Series
- 11 Embedded System
- 12 Industrial Computer Chassis
- 13 Power Supply
- 14 Peripherals

Fanless POS PC



AFL-12B/15A-LX POS Panel PC

- Fanless design for rigorous environments
- Customer-friendly self-service solutions
- All-in-one easily maintained system
- Versatile mounting suits diverse applications
- Selectable AT or ATX power mode
- Built-in 1.5 W speakers
- IP 64 front panel protection withstand harsh environment

Help you Drive Business Success

IEI AFOLUX POS touch panel PCs are ideal in applications where cost, rugged design, and limited space are top criteria, especially for harsh retail or hospitality environments.



Flexible Combination for Diverse Applications

IEI AFOLUX POS Panel PCs are designed for small chain stores, local restaurant operators who appreciate the advantages of using simple operating POS system.

A. Wall Mount POS



Self Ordering Solution

Wall mounting capability economizes on space for users who don't have any additional room to build more checkouts. The wall mounted POS that enable customers to order by themselves also reduces queues during the peak periods.



B. Flexible Pay Stations



Vehicle POS Station

Mobile POS systems enable large stores, theme parks, multiplexes and other large entertainment venues to quickly setup temporary pay stations at different locations during peak periods and during special promotions. All transactions can be easily monitored by a central database and all credit card transactions easily and securely authorized. Wireless connectivity simplifies the process and reduces the overall setup time.



C. Back Office POS



Kitchen POS

A POS installed in the kitchen enables chefs to receive and print hand written instructions from a waiter in the front end of the restaurant.



D. Desk Top POS



All-in-One POS System

The AFL POS all in one system is a flexible system that saves counter space and comes with a diverse range of peripherals for space sensitive applications and environments



Space-Saving All-in-One System

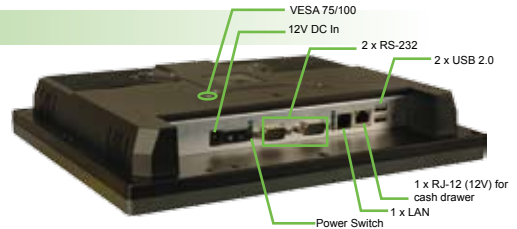


	General POS system with separate parts occupy the space	AFOLUX POS Panel PC System
Building Cost	High	Low
Maintenance	Complicated	Easy
Appearance	A POS system with lots of cables and peripherals	Simple, slim and luxurious
Space Occupy	High	Low



Flexible in peripheral connection

The AFOLUX POS PC supports full I/O and is equipped with various connectors for different peripherals.



1. Two RS-232 with selectable RI/5V/12V



Convenient Jumper Setting in front of the rear
Since the peripherals require a +5V/+12VDC RS-232 connection, set the corresponding I/O COM port voltage output on pin-9 to +5V/+12V through the switch in front of the rear.



LED Indicator for identifying power selected by jumper

LED is red: The pin 9 signal on the RS-232 connector is set as 12 V	LED is yellow: The pin 9 signal on the RS-232 connector is set as 5 V	LED is green: The pin 9 signal on the RS-232 connector is set as RI (ring indicator)

2. Two USB ports for peripheral connectivity



Optional MSR and MSI

- ① Magnetic Card Reader
- ② Smart Card Reader
- ③ Optional iButton



① Magnetic Card Reader
• Credit card data collection
• Membership card



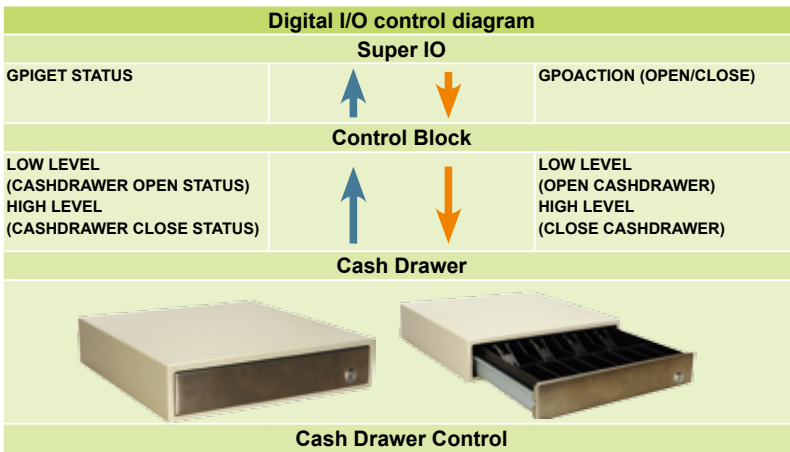
② Smart Card Reader
• Storage Card



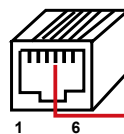
③ iButton
Each iButton has a unique serial number and it is unalterable serial number. It can be used as a key or identifier for
• Access controls for POS terminal
• eCash transactions
The iButton can be used to store cash for small transactions

3. One cash drawer port via RJ-12 with 12 V power

The AFOLUX POS is equipped with a digital I/O RJ-12 12 V port that provides extension for peripherals such as a cash drawer devices.



Cash Drawer RJ-12 Pin Assignments



Pin	Assignment
1	Ground
2	CASH_1 (Digital Out Programmable)
3	Digital IN
4	+12 V
5	NC
6	Ground

IEI ISMM cash drawer status monitoring



IEI also provides a quick and easy tool to develop cash drawer application for POS program

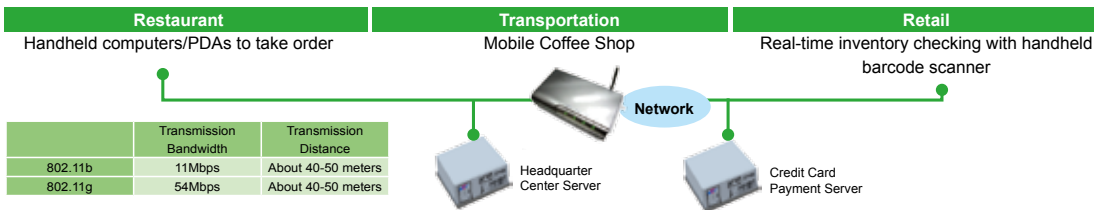
- 1 Application Server Platform
- 2 Single Board Computer
- 3 IBX Series POS PC
- 4 AFOLUX POS Panel PC
- 5 Video Capture Card
- 6 KAMIO RISC
- 7 IOVU Open HMI
- 8 VITO Universal Controller
- 9 DINO BLADE
- 10 LCD Product Series
- 11 Embedded System
- 12 Industrial Computer Chassis
- 13 Power Supply
- 14 Peripherals

Seamless Connection

Built-in 802.11b/g wireless module conduct data transmission wherever you are



The integrated PIFA antenna on the AFOLUX POS panel PC ensures uninterrupted wireless connection in retail stores and restaurants. The wireless option reduces cable costs and enables more devices to be connected to transmit transaction or inventory data in real time.



Reliable Fanless POS Panel PC for Rigorous Environments

Reliable Fanless System



The AMD Geode™ LX 800 processor generates less heat. AFOLUX POS models with AMD Geode™ LX 800 are high-performance fanless platforms.



- Benefits**
- Less down time
 - Extended operational lives as they are not exposed to overheating problems caused by fan failures
 - Reduce maintenance costs

Watchdog timer to prevent system lock-up



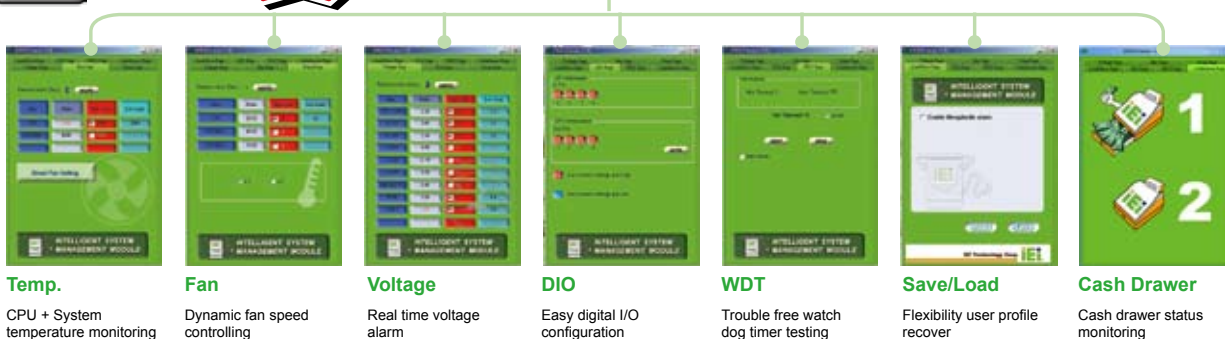
Integrated a watchdog timer (WDT) function that can generate a system reset if the CPU processing comes to a halt.



IEI Intelligent System Management Module (ISMM)



Real-time Supervisor, 7 in 1 Modules !!

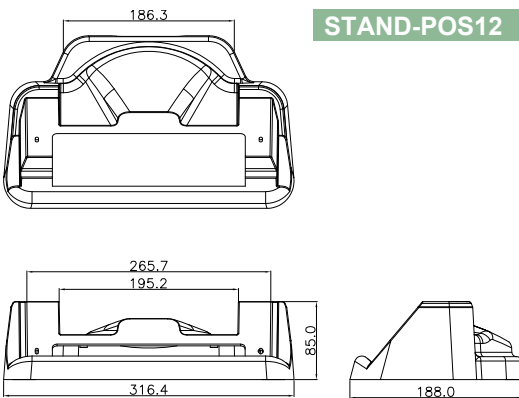


Accessory

1. All-in-one design ideal for public applications



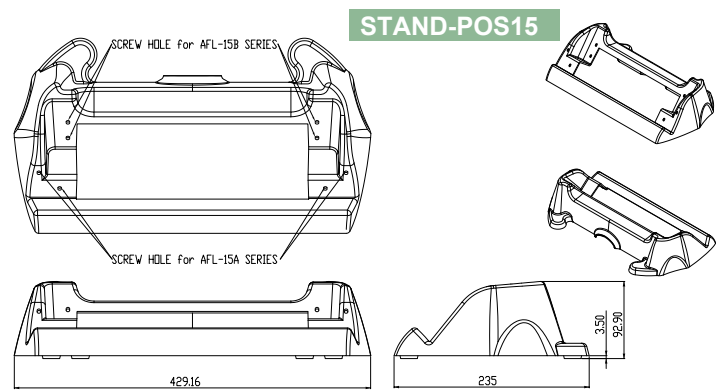
• Dimensions



2. Easy Remove and Installation Design

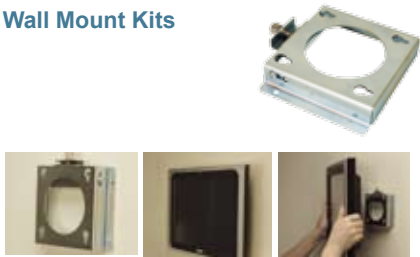


3. Easily arrange the cables inside the stand



• IQ Mount

Wall Mount Kits



Easy Stand



Comfortable Stand

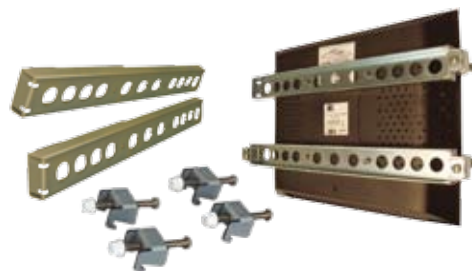


• Panel Mount

AFLPK-12



AFLPK-15



1
Application
Server
Platform

2
Single
Board
Computer

3
IBX Series
POS PC

4
AFOLUX
POS
Panel PC

5
Video
Capture
Card

6
KAMIO
RISC

7
IOVU
Open HMI

8
VITO
Universal
Controller

9
DINO
BLADE

10
LCD
Product
Series

11
Embedded
System

12
Industrial
Computer
Chassis

13
Power
Supply

14
Peripherals

Specifications

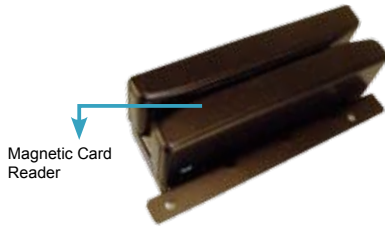
- 1 Application Server Platform
- 2 Single Board Computer
- 3 IBX Series POS PC
- 4 AFOLUX POS Panel PC
- 5 Video Capture Card
- 6 KAMIO RISC
- 7 IOVU Open HMI
- 8 VITO Universal Controller
- 9 DINO BLADE
- 10 LCD Product Series
- 11 Embedded System
- 12 Industrial Computer Chassis
- 13 Power Supply
- 14 Peripherals



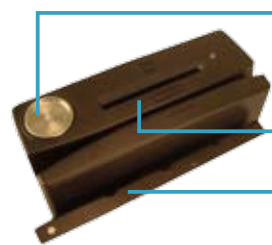
Model Name	AFL-12B-LXPOS	AFL-15A-LXPOS
Mainboard	AFLMB-LXPOS-R10	
CPU	AMD Geode™ LX 800 (500MHz)	
Chipset	AMD Geode™ LX 800+ AMD Geode™ CS5536	
Memory	Supports one 1GB (maximum)333MHz or 400MHz SO-DIMM	
LCD/Touch Panel		
LCD Size	12.1" TFT LCD	15" TFT LCD
Max Resolution	800 x 600 (1024 x 768)	1024 x 768
Brightness (cd/m²)	350 (450)	350
Contrast Ratio	500:1 (700:1)	700:1
LCD Color	262K	262K
Pixel Pitch (mm)	0.3075(H) x 0.3075(V) (0.240(H) x 0.240 (V))	0.297(H) x 0.297(V)
Viewing Angle (H-V)	140(H) / 120(V) (160(H) / 160(V))	140(H) / 125(V)
Backlight MTBF	50000 hrs	50000 hrs
Touch Screen Type	Resistive Type 5-Wire	
Metal Housing		
Housing Material	ABS + PC Plastic front frame	
IP Level	IP 64 in front	
Front Panel Color	Gray	Silver
Storage		
HDD	1 x 2.5" HDD bay With ANTI-SHOCK	
SSD	CF Type II	
Expansion		
Mini-PCI Slot	1x mini-PCI slot (for wireless module)	
External I/O Ports		
USB	2 x USB 2.0	
Serial/COM	2 x RS-232 COM Port (pin 9 with RI , 5V or 12V switch selectable) With LED Indicator (12V--Red / 5V--Yellow / RI--Green)	
LAN (10/100Mbps)	1 x RJ-45 GbE	
Cash Drawer	1 x RJ-12 (12V) for Cash Drawer	
DC Jack	1 x DC Jack latch type	
	1 x Power Switch	
	1 x Reset Button	
POWER LED	1	
Audio		
Built-in Speaker	AMP 1.5W+AMP 1.5W	
Power		
Power Adapter	Power: 48W	Power: 60W
	Input: 90VAC~264VAC @ 50/60Hz	Input: 90VAC~264VAC @ 50/60Hz
	Output:12VDC	Output:12VDC
Peripheral		
MSR	Magnetic Card Reader (USB interface) (optional)	
MSI	Magnetic Card, Dallas iButton (USB interface) (optional)	
Cash Drawer	RJ-12 interface (optional)	
Bar Code Reader	Hand-held Laser Scanner (USB interface) (optional)	
Environment		
EMC and Safety	CE,FCC,CCC,UL,CB	
Operating Temperature	0°C~50°C	
Storage Temperature	-20°C~60°C	
Dimension (WxHxD) (mm)	304 x 246 x 49.5	394 x 309 x 61
Mounting	Panel, Wall, Stand VESA 75mm x 75mm / 100 x 100mm	Panel, Wall, Stand VESA 100 x 100mm
Net Weight	1.8 Kg	3.2 Kg
Power Consumption	29W	38W
OS Support	Windows XPE or Windows CE 5.0 or Windows CE 6.0 (optional)	
Watchdog Timer	Software programmable supports 1~255 sec. System reset	

Optional Peripherals

• MSR and Smart Card Reader



Magnetic Card Reader



iButton
The iButton can be used to store cash for small transactions, or as an electronic asset tag to store information needed to keep track of valuable capital equipment.

Smart Card Reader

Magnetic Card Reader

P/N	AFLP-12MSR-U/AFLP-15MSR-U	AFLP-12MSI-U/AFLP-15MSI-U
General	90 mm Magnetic Stripe Reader Programming: By Software Download Program Card Standard: ANSI , ISO , ABA Track Read: ISO 1,2,3(IATA,ABA,THRIFT/MINTS),JISII100-1000mm/sec	(1) Magnetic Card: ISO 7811, AAMVA, DMV, JIS II (2) Smart Card: ISO 7816, EMV (3) Dallas iButton
Electrical	Voltage:DC+5V,+/-5%Reading Indicator:Beeper	Voltage:DC+5V,+/-5%Reading Indicator:Beeper
Environment	Operating Temperature: 0°C to 40°C Relative Humidity:20% to 85 % (Non-condensing)	Operating Temperature: -10°C to 55°C Relative Humidity:10% to 90 % (Non-condensing)
Physical	Cable:Straight ,5ft Weight:Approx.61g	Cable:Straight ,5ft Weight:Approx.60g



• Barcode Reader

Ideal for scanning applications

Specifications

SCAN PERFORMANCE	
Depth of Scan Field	0 mm – 140 mm (0" – 5.5") for 0.33 mm (13 mil) bar codes
Width of Scan Field	49 mm (1.9") @ face; 195 mm (7.7") @ 140 mm (5.5")
Scan Speed	72 scan lines per second
Scan Pattern	Single scan line
Minimum Bar Width	0.102 mm (4 mil)
Print Contrast	35% minimum reflectance difference
Roll, Pitch, Yaw	42°, 68°, 52°
MECHANICAL	
Length	169 mm (6.7")
Width Head	63 mm (2.5")Handle: 40 mm (1.6")
Height	Head: 35 mm (1.4")Handle: 31 mm (1.2")
Weight (w/o cable)	97 g (3.41 oz)
Termination	10 pin modular RJ45
Cable	Standard 1.5 m (5') straight; optional 2.7 m (9') coiled
ELECTRICAL	
Input Voltage	5 VDC + 0.25 V
Power	675 mW
Operating Current	135 mA @ 5 VDC
System Interface	USB

Options

P/N	Description
AFLP-BRW01-U	Single-line, hand-held laser scanner, white color
AFLP-BRB01-U	Single-line, hand-held laser scanner, black color



• Cash Drawer

- Heavy duty metal drawer with keylock
- 6PIN phone jack for EPSON printer compatible
- MTBF:1,000,000 operations

Specifications

Drawer	Heavy duty metal drawer with keylock
Casing	Robust metal construction
Front Panel	Robust metal construction
Lock	3 positions
Bill Tray	Separate coin tray removable from the bill tray adjustable dividers for four or five compartments spring loaded bill clips
Coin Tray	Separate coin tray removable from the bill tray adjustable dividers for up to eight compartments
Slip Deposit Slot	Front access slot for check, credit card receipt, or any paper
Drawer Mode Solenoid Lock Manual	Open by drive signal to the solenoid Mechanically locks the drawer Open by key
I/O Interface	6-pin RJ-12 phone jack for EPSON printer compatible
Solenoid	12V for 6-pin RJ-12 phone jack interface
MTBF	1,000,000 operations
Color	Beige or black
Dimensions	410 (W) x 415 (L) x 100 (H) mm
Package	460 (W) x 470 (L) x 165 (H) mm
Net Weight	6.8 kg
Gross Weight	7.9 kg

Options

P/N	Description
AFLP-CW01-12V	Cash Drawer, 12V DC input, 6-pin RJ-12 phone jack, white color
AFLP-CB01-12V	Cash Drawer, 12V DC input, 6-pin RJ-12 phone jack, black color

1 Application Server Platform

2 Single Board Computer

3 IBX Series POS PC

4 AFOLUX POS Panel PC

5 Video Capture Card

6 KAMIO RISC

7 IOVU Open HMI

8 VITO Universal Controller

9 DINO BLADE

10 LCD Product Series

11 Embedded System

12 Industrial Computer Chassis

13 Power Supply

14 Peripherals

Optional Peripherals



• Customer Display

Options

P/N	Description
AFLP-CDB01	Customer Display, VFD, 5x7 dot matrix, RS232, black color
AFLP-CDW01	Customer Display, VFD, 5x7 dot matrix, RS232, white color

• Thermal Printer



Options

P/N	Description
AFLP-TPB01	Thermal Printer, 24VDC, RS232, thermal line printing, black color
AFLP-TPW01	Thermal Printer, 24VDC, RS232, thermal line printing, white color

Specifications

Customer Display	Vacuum Fluorescent Display Green
Display Pattern	5 x 7 dot matrix
Brightness	350~700 cd/m2
Character	95 Alphanumeric & 32 International Characters
Dot Size (X x Y)	0.86 mmx 1.2 mm
Font Size	5.25(W) x 9.3(H)
Character Number	20 x 2 for 5 x 7 font
Command	LD-220, EPSON POS D101, Aedex, UTC/S, UTC/P, ADM788, DSP800, CD5220, EMAX, LOGIC CONTROL
Language	USA, France, Germany, U.K., Sweden, Denmark I & II, Italy, Spain, Norway, Japan (Katakana), Slavonic, Russian, etc...
Pass-through	Pass-through function is standard
Dimension (Panel) (W x D x H)	220 mm x 50 mm x 86 mm
Dimension (Support)	Two supports per package, per support : 130mm130mm x 2 = 260 mm (H)x 33 mm (dia)
Dimension (base)	217 mm (W) x 106 mm (D) x 20 mm (H)
Viewing Angle	Max. 90°
Horizontal Rotation	Max. 360°
Weight	About 0.55 Kg
Interface	RS-232

Specifications

Print method	Direct thermal line printing
Print Font Column	9 x 17 / 12 x 24 64/48 Columns 95 Alphanumeric; 32 International; 128x7 graphics Traditional/Simplified Chinese, Japanese UPC-A, UPC-E, JAN8 (EAN8), JAN13 (EAN13), CODE 39, CODE 93, CODE 128, CODABAR.
Bar code	
Print Speed	180mm / sec (60 lps) max.
Data Buffer	96 Kbytes or 2k bytes
Interface	RS 232C (32K)
Paper Dimensions (mm)	Thermal roll paper: 79.5 +/- 0.5 x dia 83.0 mm
Paper Thickness (mm)	0.06 to 0.12
Power	24VDC +/- 7%
Current consumption	Approx 2.0A (mean)
Overall dimensions	146(W) x 197(D) x 145(H) mm
Weight	Approx 1.8 Kg
EMI Standards	CE, FCC

Options

	AFL-12B-LXPOS	AFL-15A-LXPOS
POS Stand	STAND-POS12	STAND-POS15
LCD Stand	STAND-A12	STAND-A19/STAND-B19
Wall Mount Kit	AFLWK-19	
Panel Mounting Kit	AFLPK-12	AFLPK-15
Cash Drawer	AFLP-CW01-12V (RJ-12 interface with white color) AFLP-CB01-12V (RJ-12 interface with black color)	
Bar Code Reader	AFLP-BRW01-U (USB interface with white color) AFLP-BRB01-U (USB interface with black color)	
MSR (Magnetic Stripe Reader)	AFLP-12MSR-U	AFLP-15MSR-U
MSI (Magnetic Card/Smart Card/Dallas iButton)	AFLP-12MSI-U	AFLP-15MSI-U
Thermal Printer	AFLP-TPW01 (RS-232 interface with white color) AFLP-TPB01 (RS-232 interface with black color)	
Customer Display	AFLP-CDW01 (RS-232 interface with white color) AFLP-CDB01 (RS-232 interface with black color)	
OS: Windows® CE 5.0	AFLCF-12-LXPOS-CE050 (128MB CF Card)	AFLCF-15-LXPOS-CE050 (128MB CF Card)
OS: Windows® CE 6.0	AFLCF-12-LXPOS-CE060 (128MB CF Card)	AFLCF-15-LXPOS-CE060 (128MB CF Card)
OS: Windows® XPE	AFLCF-12-LXPOS-XPE (1GB CF Card)	AFLCF-15-LXPOS-XPE (1GB CF Card)

Ordering Information

Model	Description
AFL-12BS-LXPOS/WT-R/256MB	12.1" 350 cd/m ² SVGA fanless POS PPC with AMD Geode™ LX 800 CPU, 256MB DDR RAM, 802.11 b/g wireless module and touch screen, without POS STAND
AFL-12BX-LXPOS/WT-R/256MB	12.1" 450 cd/m ² XGA fanless POS PPC with AMD Geode™ LX 800 CPU, 256MB DDR RAM, 802.11 b/g wireless module and touch screen, without POS STAND
AFL-15A-LXPOS/WT-R/256MB	15" 350 cd/m ² XGA fanless POS PPC with AMD Geode™ LX 800 CPU, 256MB DDR RAM, 802.11 b/g wireless module and touch screen, without POS STAND